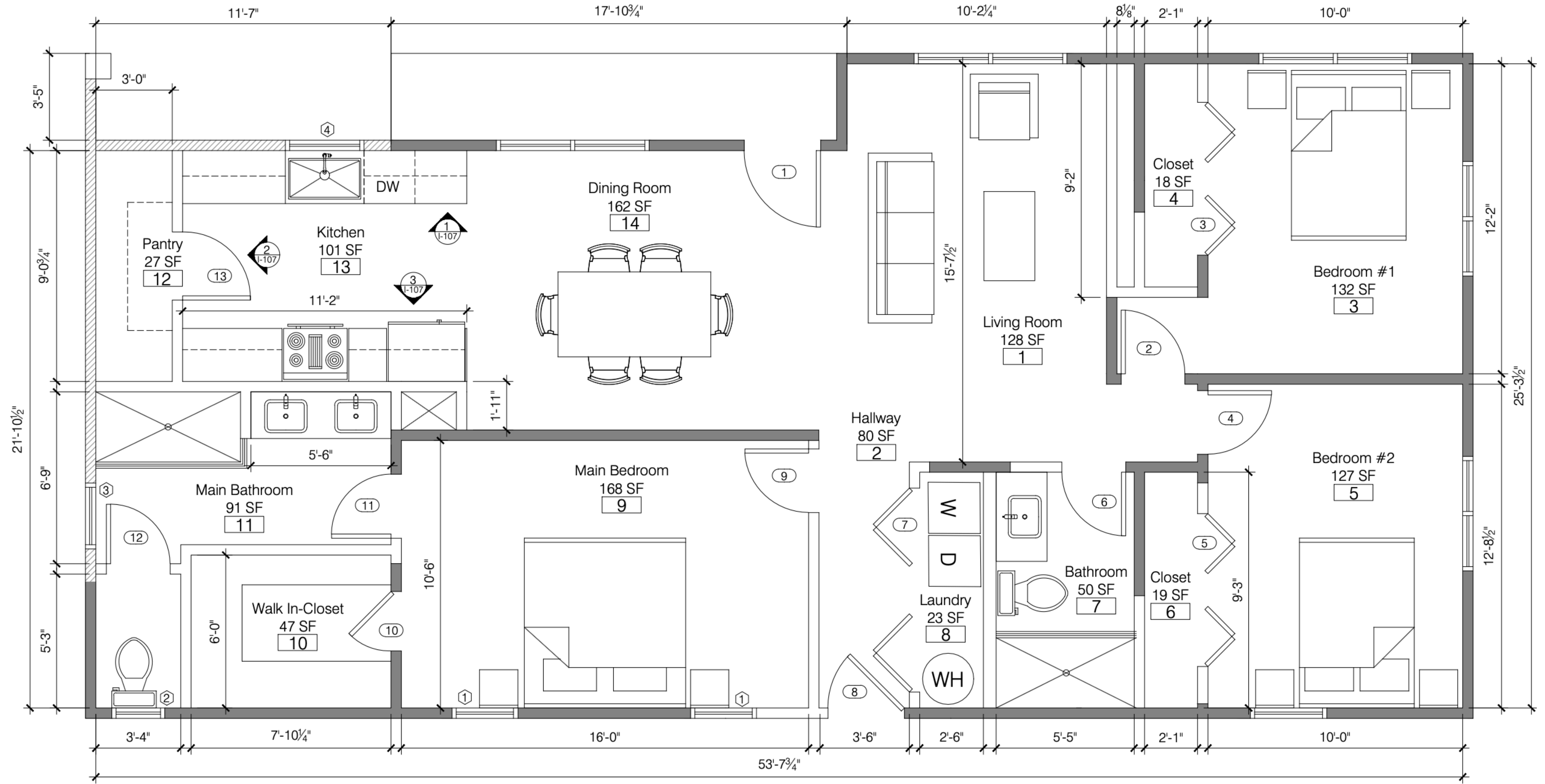
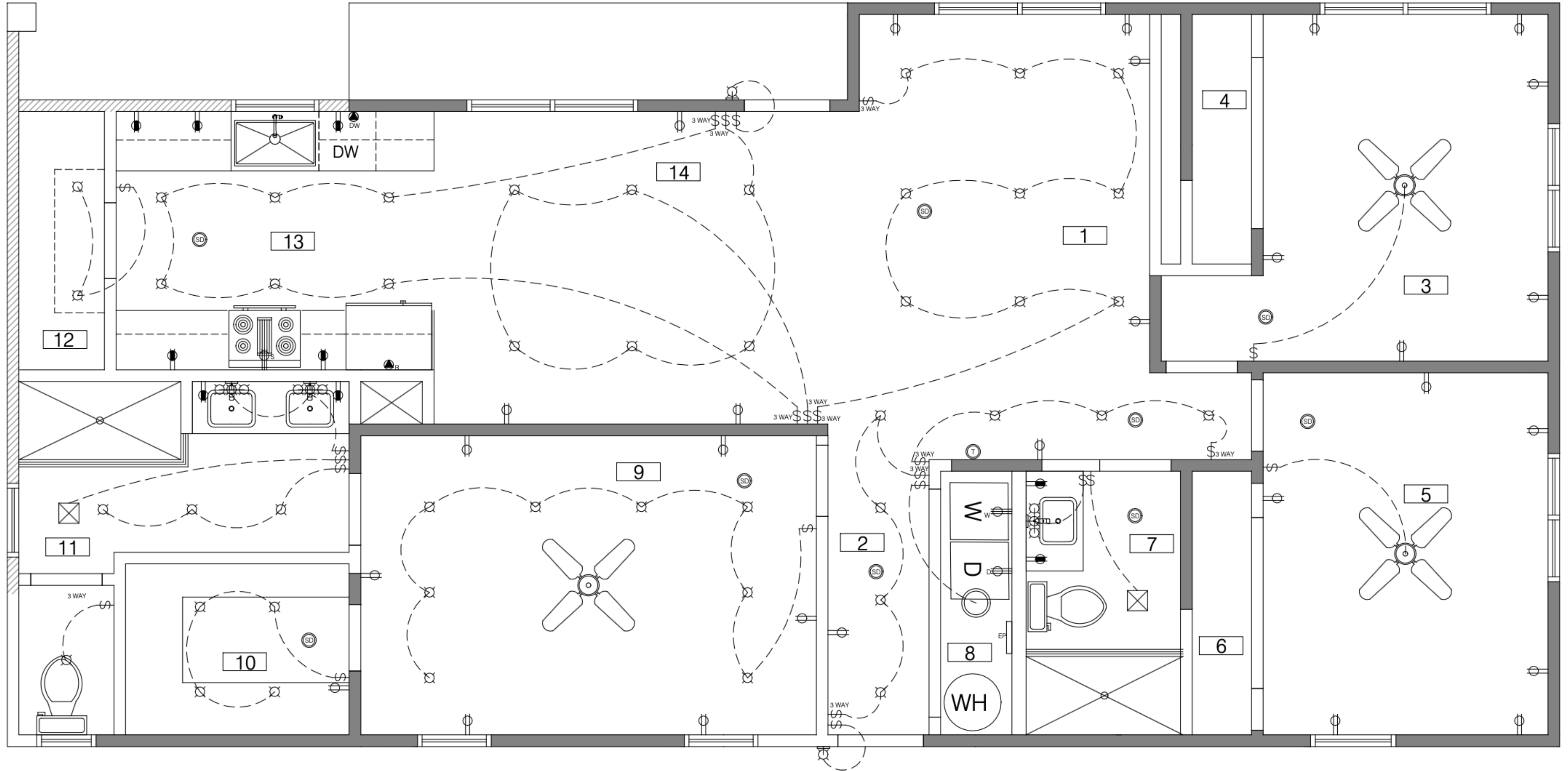
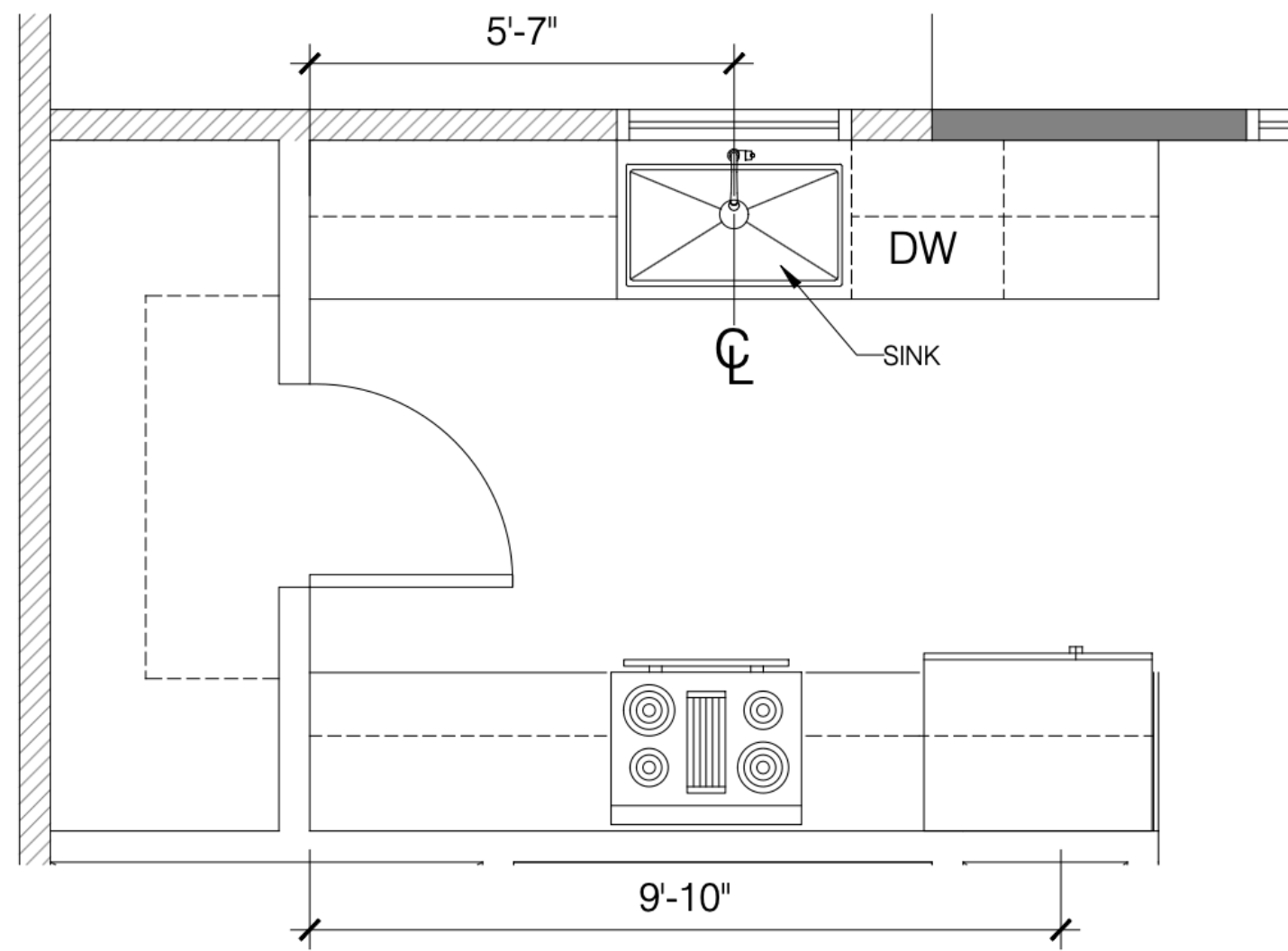


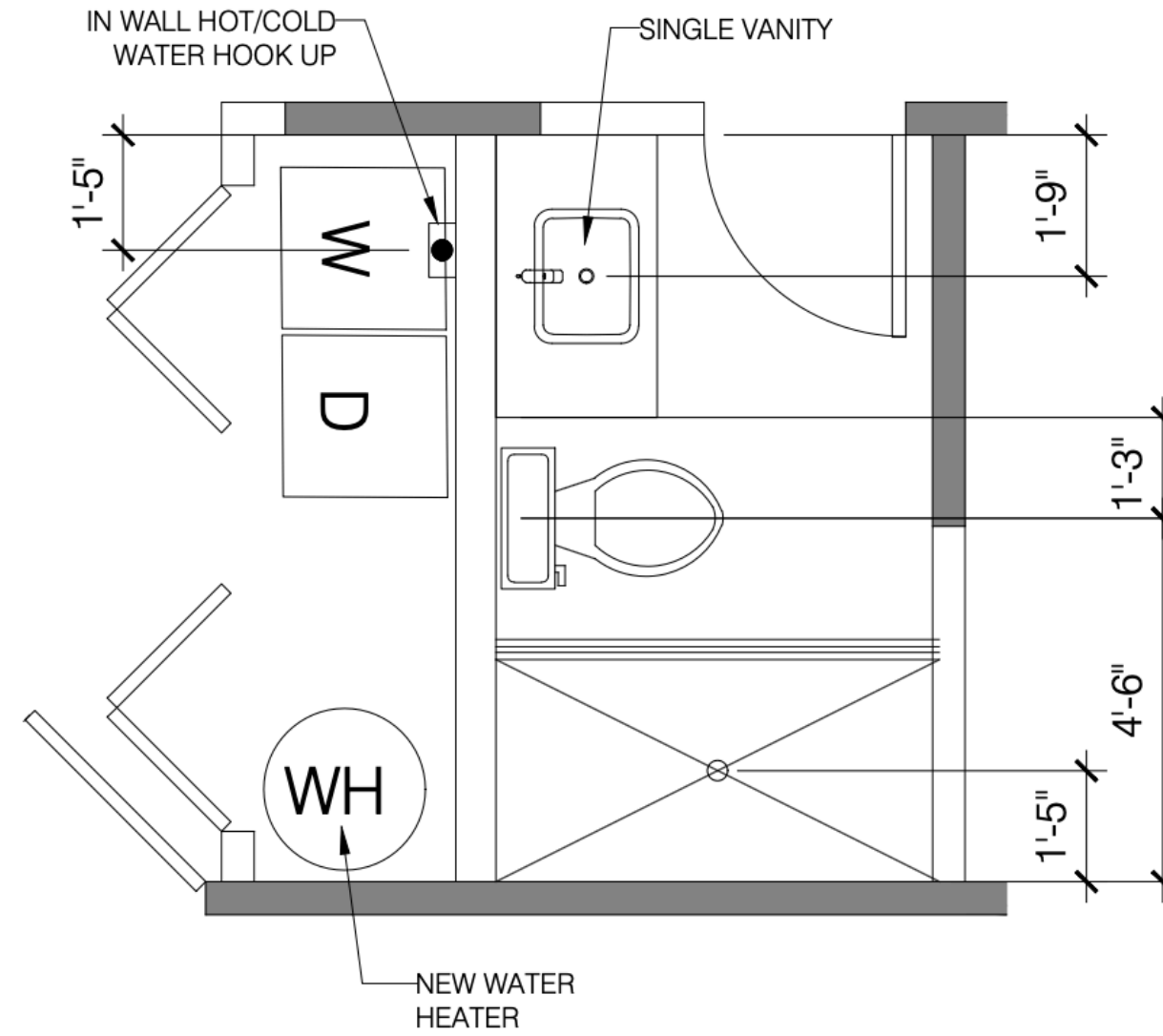
# **Home Renovation Construction Set**



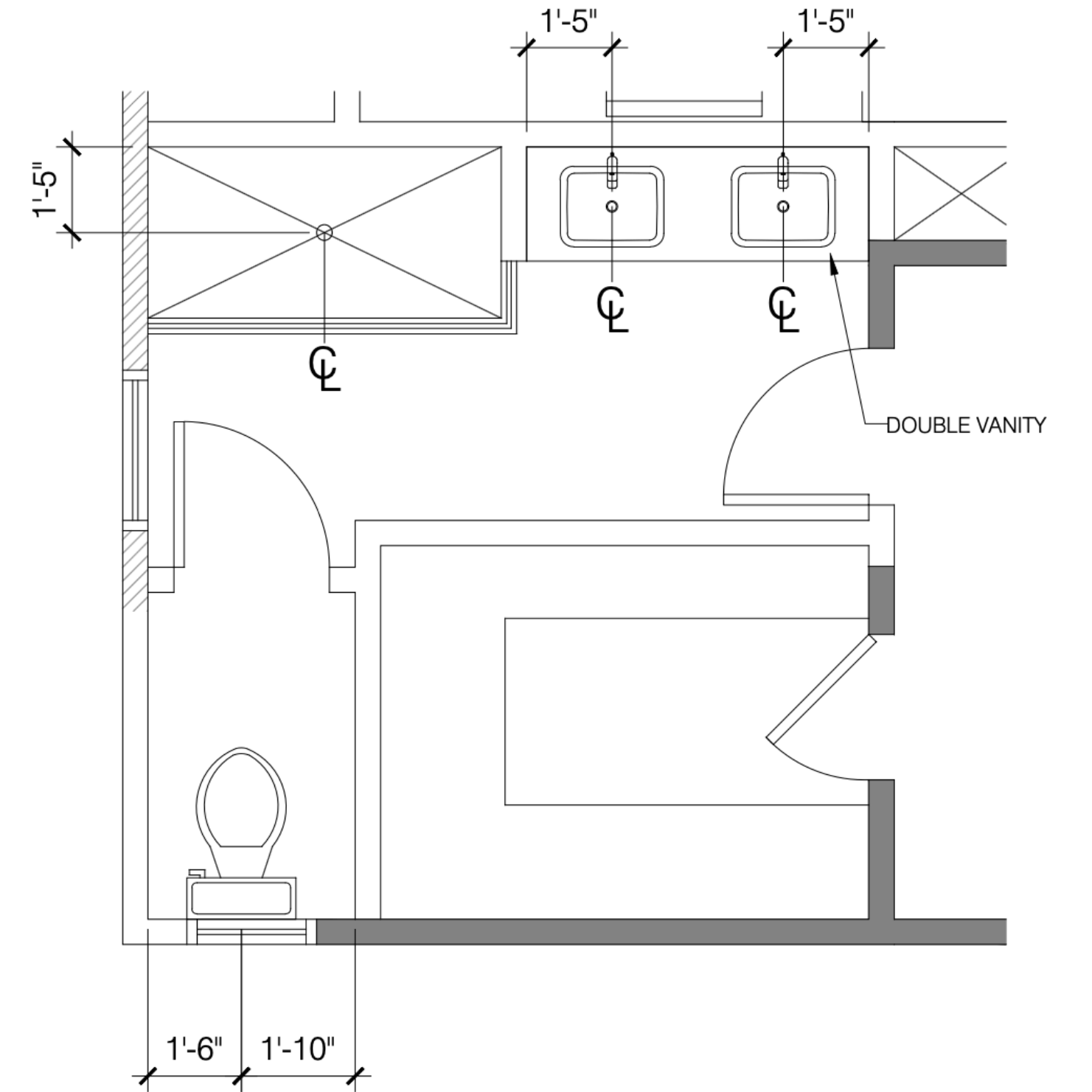




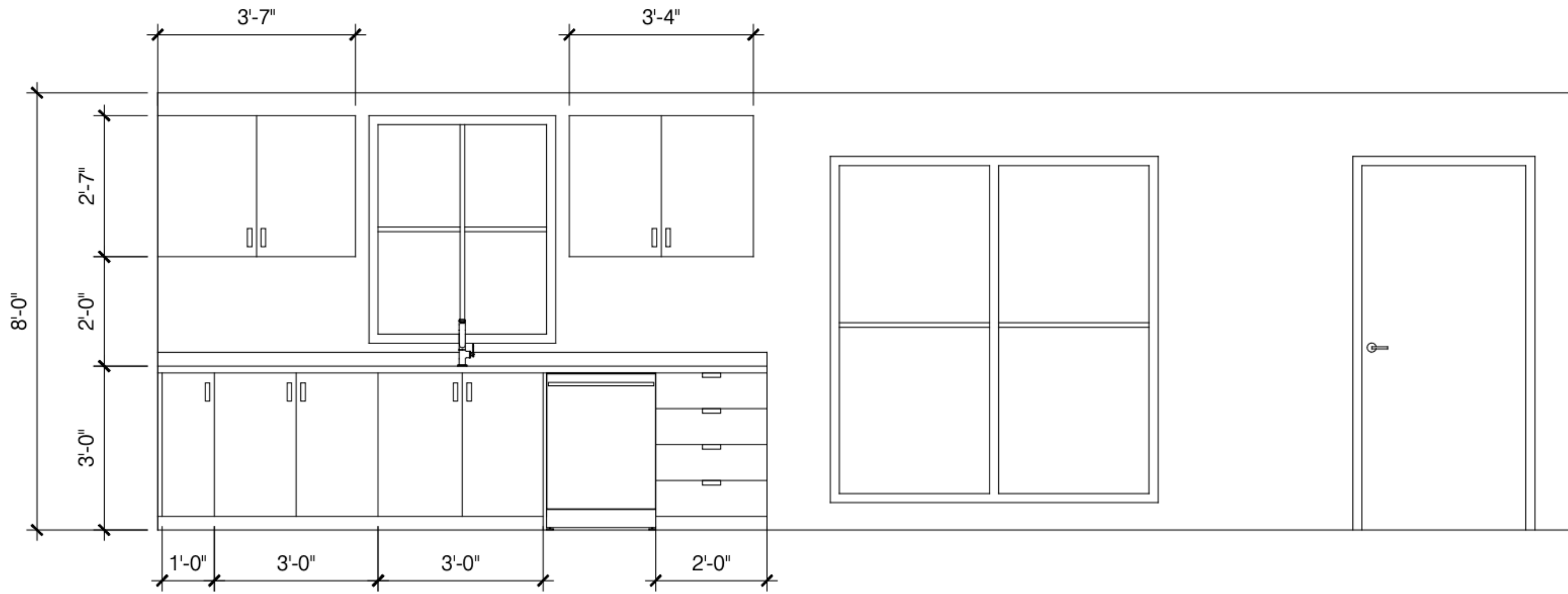
1 KITCHEN PLUMBING  
3/8" = 1'-0"



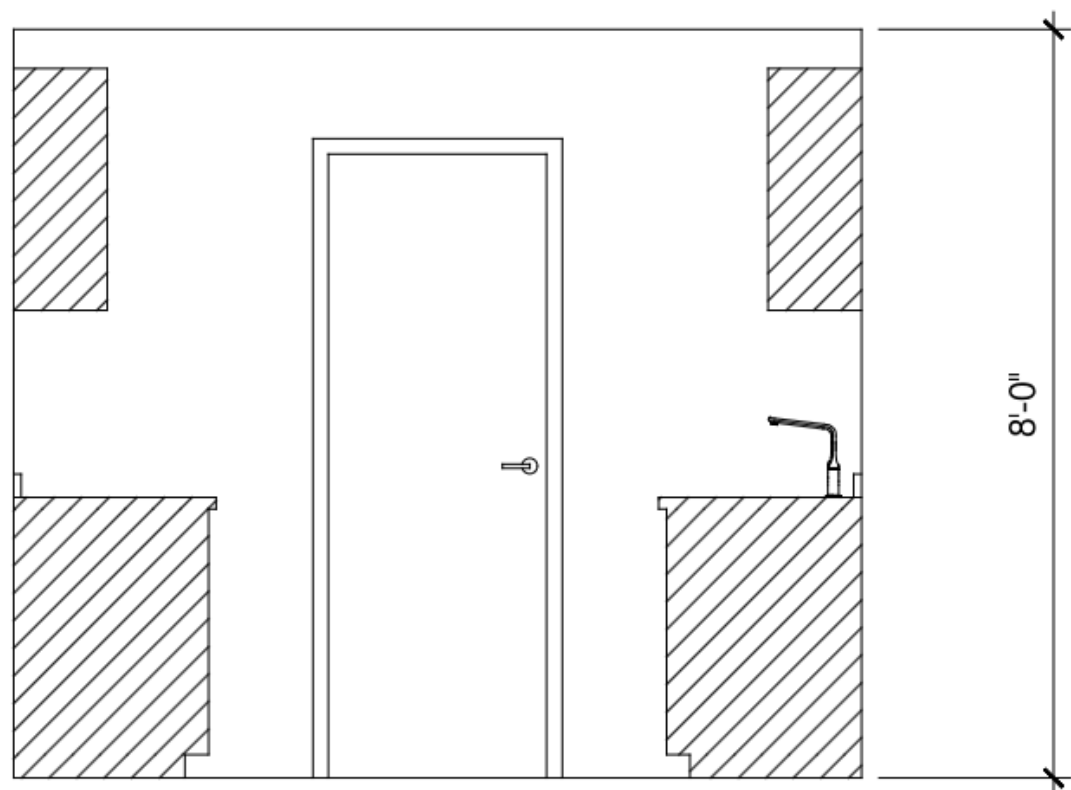
2 LAUNDRY AND BATHROOM PLUMBING  
3/8" = 1'-0"



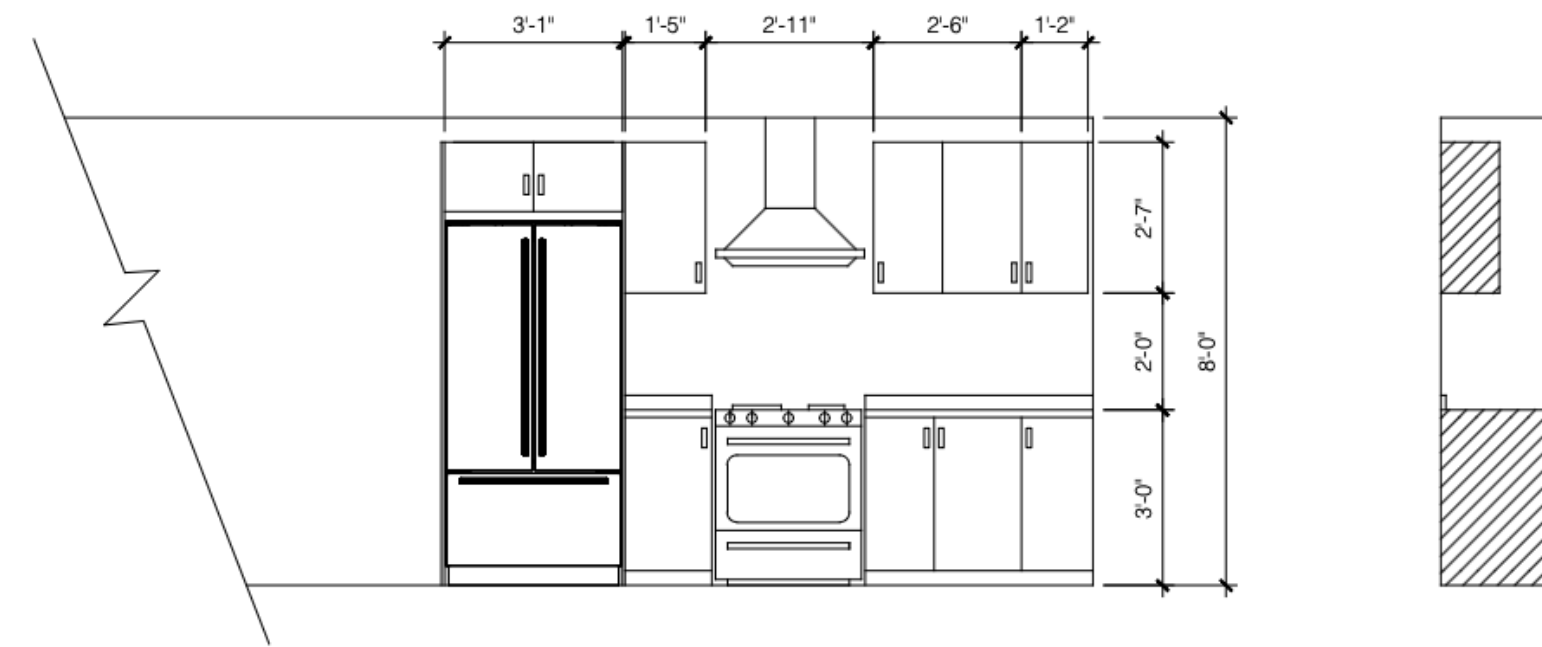
1 MAIN BATHROOM PLUMBING  
3/8" = 1'-0"



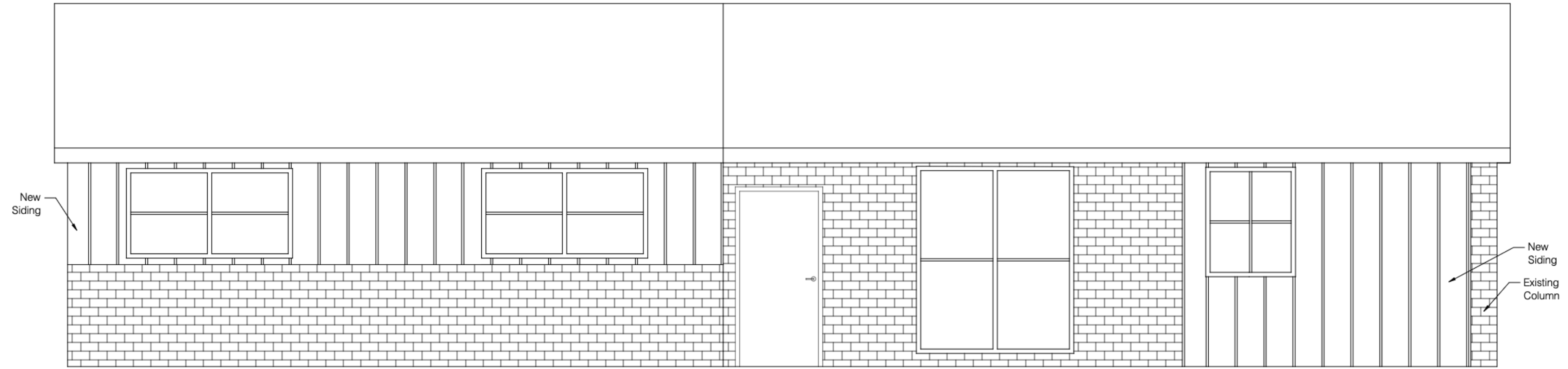
1 KITCHEN ELEVATION  
3/8" = 1'-0"



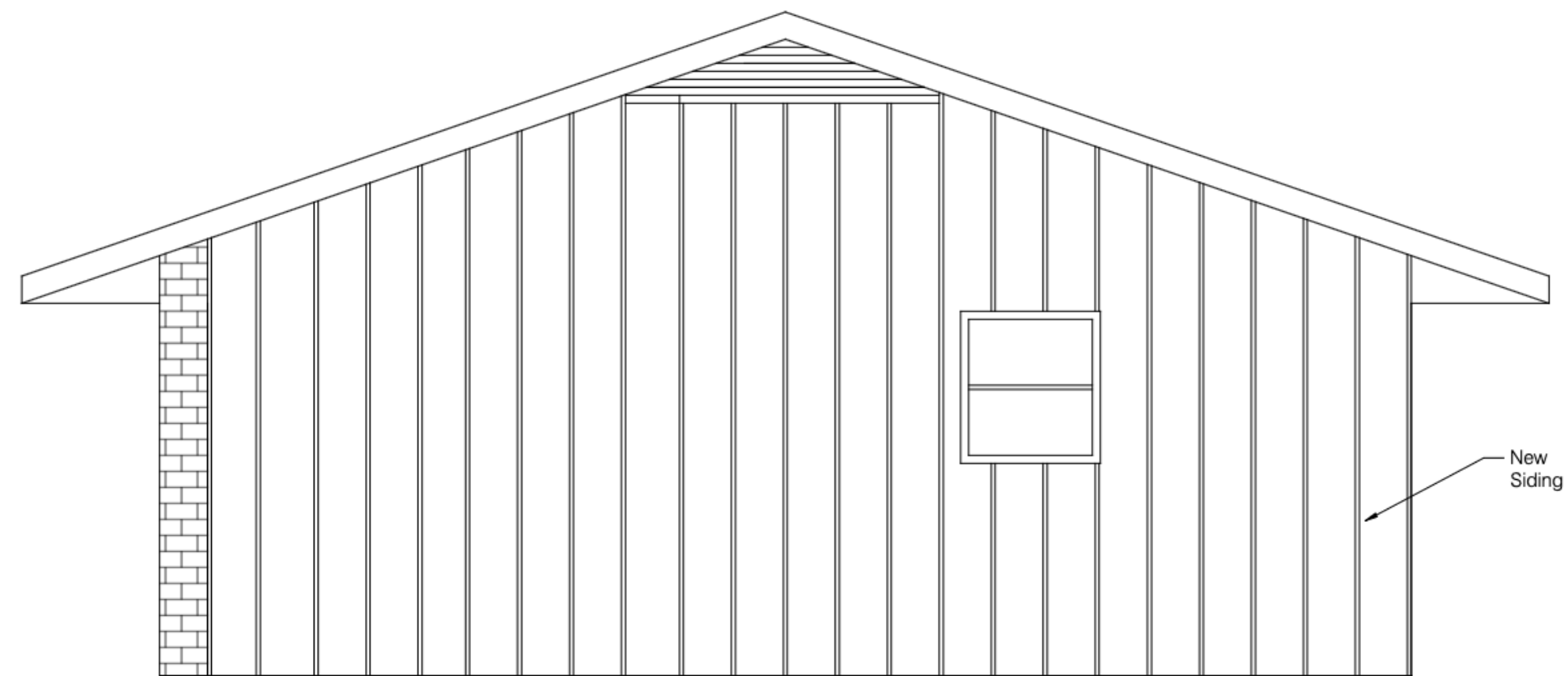
2 KITCHEN ELEVATION  
3/8" = 1'-0"



3 KITCHEN ELEVATION  
3/8" = 1'-0"



1 SOUTH EXTERIOR ELEVATION  
1/4" = 1'-0"



2 EAST EXTERIOR ELEVATION  
1/4" = 1'-0"